

Steca Xtender

XTS 900-12, 1200-24, 1400-48

XTM 1500-12, 2000-12, 2400-24, 3500-24, 2600-48, 4000-48

XTH 3000-12, 5000-24, 6000-48, 8000-48

The basic functions of the combined inverters Steca Xtender are the inverter, the battery charger, the switching function and the support of external sources of alternating current. These functions can be combined and controlled fully automatically. The inverters offer outstanding user-friendliness and very good exploitation of the energy available.

All the settings of the Steca Xtender can be remote controlled. When a software with new functions is available, it can be loaded into the system, so the Steca Xtender always stays up to date. Several Steca Xtender can be connected in parallel or to form a three-phase system. That means that up to nine Steca Xtender can work together.



Steca Xtender XTS

Steca Xtender XTM

Steca Xtender XTH

Product features

- True sine wave voltage
- Excellent overload capabilities
- Optimal battery protection
- Adjustable integrated battery charger
- Multistage programmable battery charger with PFC
- Automatic load detection
- Standby load detection adjustable over a wide range, starting from a low value
- Parallel connectable
- Best reliability
- Can be used as a back-up system or uninterruptible power supply (UPS)
- Multifunction contact
- Adjustable power sharing
- Reliable and noiseless with any kind of load
- Support of sources of alternating current (Smart Boost)
- Automatic support for peak loads (Power Shaving)
- Ultra-fast transfer relay
- High efficiency
- Control by digital signal processor (DSP)

Electronic protection functions

- Deep discharge protection
- Battery overvoltage shutdown
- Overtemperature and overload protection
- Short circuit protection
- Reverse polarity protection by internal fuse (except Steca Xtender XTH 3000)
- Acoustic alarm at deep discharge or overheating

Displays

- 5 LEDs show operating states
- ~ for operation, fault messages

Operation

- Main switch
- Adjustable load detection

Options

- Type with 115 V / 60 Hz (except Steca Xtender XTH 8000-48)
- Model with protective lacquered mainboard

Certificates

- Compliant with European Standards (CE)
- RoHS compliant

Steca- accessories

- Remote control and display Steca RCC-02/03
- Additional accessories on request:
 - Prewired mounting structure Steca X-Connect-System,
 - Battery temperature sensor Steca BTS-01,
 - Integrated cooling unit ECF-01, Current Sensor BSP-500/1200,
 - Communications cable, Connection to the three-phase system / parallel connection CAB-RJ45-2

700 W...72,000 W

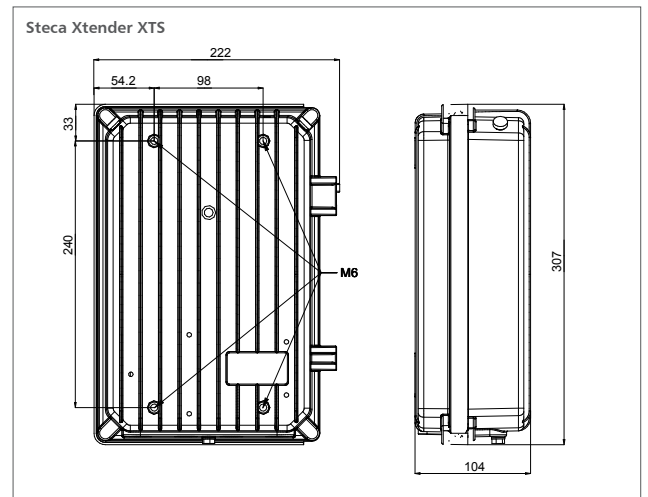


Multifunction contacts

These potential-free contacts can be programmed for many different applications. They can react to any event outside or inside of the inverter (grid availability, battery voltage, fault message ...). They can also be programmed on a timer or can be switched on during particular times (at night, at the weekend ...). In this way, they can serve to start up a generator, to switch off less important loads, to signal a fault, to charge batteries depending on the situation, etc.

Smart-boost function

With the smart-boost function, the output of another source of alternating current, such as a power generator or a charger connection, can be increased; even when special loads are being used (inductive, asymmetric, with high switch-on current). It is also possible to combine the Steca Xtender with almost all inverters which are already present in order to increase the available output.





	XTS 900-12	XTS 1200-24	XTS 1400-48	XTM 1500-12	XTM 2000-12	XTM 2400-24	XTM 3500-24	XTM 2600-48	XTM 4000-48	XTH 3000-12	XTH 5000-24	XTH 6000-48	XTH 8000-48	
Characterisation of the operating performance														
System voltage	12 V	24 V	48 V	12 V		24 V		48 V		12 V	24 V	48 V		
Continuous power	500 VA / 650 VA ¹⁾	650 VA / 800 VA ¹⁾	750 VA / 900 VA ¹⁾	1,500 VA	2,000 VA		3,000 VA	2,000 VA	3,500 VA	2,500 VA	4,500 VA	5,000 VA	7,000 VA	
Power 30 min.	700 VA / 900 VA ¹⁾	1,000 VA / 1,200 VA ¹⁾	1,200 VA / 1,400 VA ¹⁾	1,500 VA	2,000 VA	2,400 VA	3,500 VA	2,600 VA	4,000 VA	3,000 VA	5,000 VA	6,000 VA	8,000 VA	
Power 5 sec.	2.3 kVA	2.5 kVA	2.8 kVA	3.4 kVA	4.8 kVA	6 kVA	9 kVA	6.5 kVA	10.5 kVA	7.5 kVA	12 kVA	15 kVA	21 kVA	
Max. efficiency	93 %				94 %			96 %		93 %	94 %	96 %		
Own consumption standby / ON	1.4 W / 7 W	1.5 W / 8 W	1.6 W / 8 W	1.4 W / 8 W	1.4 W / 10 W	1.6 W / 9 W	1.6 W / 12 W	2 W / 10 W	2.1 W / 14 W	1.4 W / 14 W	1.8 W / 18 W	2.2 W / 22 W	2.4 W / 30 W	
Power Factor Correction (PFC)	according EN 61000-3-2													
Acoustic level	< 40 dB / < 45 dB (without / with ventilation)													
Input side														
Input voltage	< 265 V AC (adjustable: 150 V AC ... 265 V AC)													
Charging current adjustable	0 A ... 35 A	0 A ... 25 A	0 A ... 12 A	0 A ... 70 A	0 A ... 100 A	0 A ... 55 A	0 A ... 90 A	0 A ... 30 A	0 A ... 50 A	0 A ... 160 A	0 A ... 140 A	0 A ... 100 A	0 A ... 120 A	
Max. current on transfer system	16 A			50 A										
Input frequency	45 Hz ... 65 Hz													
Battery side														
Battery voltage	9.5 V ... 17 V	19 V ... 34 V	38 V ... 68 V	9.5 V ... 17 V		19 V ... 34 V		38 V ... 68 V		9.5 V ... 17 V	19 V ... 34 V	38 V ... 68 V		
AC output side														
Output voltage	230 V AC +/- 2 % / 190 V AC ... 245 V AC (true sine wave) / 120 V AC ²⁾													
Output frequency	50 Hz, adjustable: 45 Hz ... 65 Hz +/- 0.05 % (crystal controlled)													
Total harmonic distortion	< 2 %													
Load detection (standby)	2 W ... 25 W													
Operating conditions														
Ambient temperature	-20 °C ... +55 °C													
Fitting and construction														
Power Smart-Boost 30 min.	900 VA	1,200 VA	1,400 VA	1,500 VA	2,000 VA	2,400 VA	3,500 VA	2,600 VA	4,000 VA	3,000 VA	5,000 VA	6,000 VA	8,000 VA	
Input current balance adjustment	2 A ... 16 A			1 A ... 50 A										
Multifunction contact adjustable	2 independent contacts 16 A / 250 V AC (potential free change-over contacts)													
Degree of protection	IP 54			IP 20										
Dimensions (X x Y x Z)	222 x 307 x 104 mm			323 x 463 x 130 mm						300 x 497 x 250 mm				
Weight	8.2 kg	9 kg	9.3 kg	15 kg	18.5 kg	16.2 kg	21.2 kg	16.2 kg	22.9 kg	34 kg	40 kg	42 kg	46 kg	
Cooling principle	convection			fan from 55 °C										
Parallel connection possible	3 x 1 phase and three-phase													

¹⁾ Steca Xtender XTS in conjunction with ECF-01

Technical data at 25 °C / 77 °F

²⁾ Special version, please note on order.

